

CAPEMI®

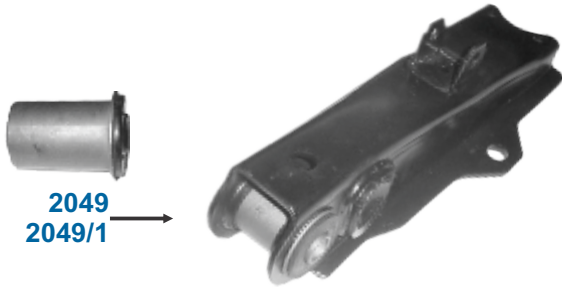
Líderes en goma
y goma metal



ISUZU LUV 2WD

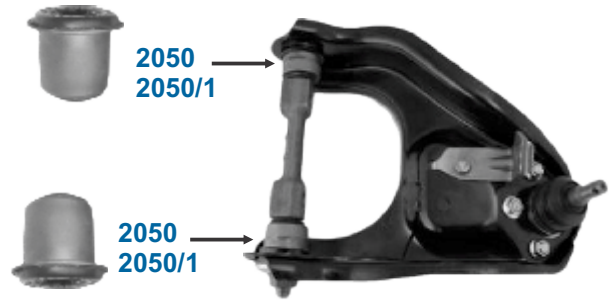


PARRILLA INFERIOR DELANTERA (2WD) LOWER FRONT CONTROL ARM (2WD)



2049
2049/1

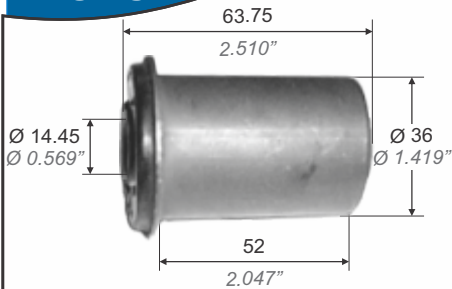
PARRILLA SUPERIOR DELANTERA (2WD) UPPER FRONT CONTROL ARM (2WD)



2050
2050/1

2050
2050/1

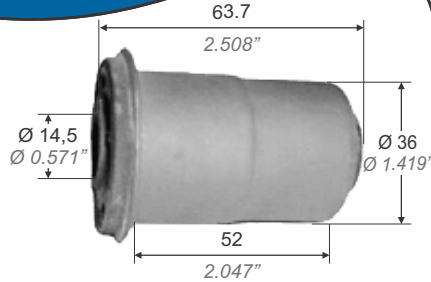
2049



220 gr. 0.485 lb. PL: 8-94223-366-0

BUJE PARRILLA INFERIOR
LOWER CONTROL ARM BUSHING

2049/1



196 gr. 0.432 lb. PL: 8-94316-903-0

BUJE PARRILLA INFERIOR
LOWER CONTROL ARM BUSHING

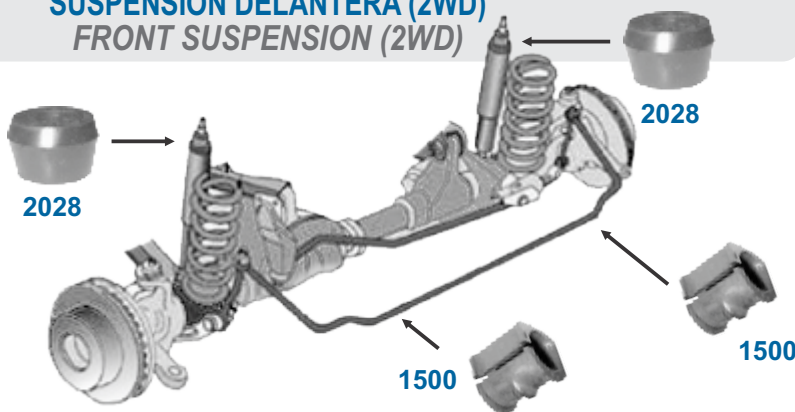
2050



PL: 8-94226-557-2
125 gr. 0.276 lb.

BUJE PARRILLA SUPERIOR
UPPER CONTROL ARM BUSHING

SUSPENSION DELANTERA (2WD) FRONT SUSPENSION (2WD)



2028

2028

1500

1500

2050/1



PL: 8942265572
127 gr. 0.280 lb.

BUJE PARRILLA SUPERIOR
UPPER CONTROL ARM BUSHING

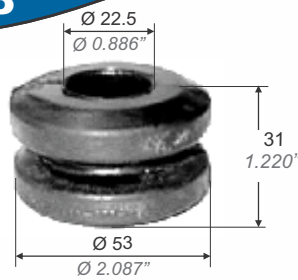
2028



40 gr. 0.088 lb. PL: 40-51631-026-0

BUJE AMORTIGUADOR
SHOCK ABSORBER BUSHING

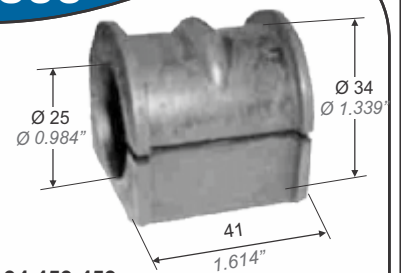
2068



53 gr. 0.115 lb. PL: 8-94433672-0

BUJE BRAZO TENSOR
TENSILE ARM BUSHING

1500



PL: 94.459.459
25 gr. 0.054 lb.

BUJE BARRA ESTABILIZADORA DEL.
FRONT STABILIZER BAR BUSHING

CAPEMI®

Líderes en goma
y goma metal



ISUZU LUV 2WD



2000/116

1500: 2
2049/1: 2
2050: 4
2068: 2

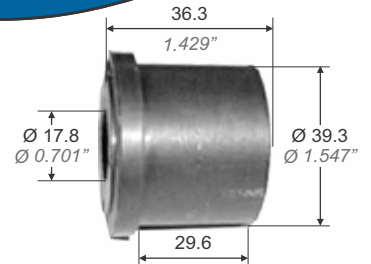


CONJUNTO REPARACION SUSPENSION DELANTERA (10 PIEZAS)
FRONT SUSPENSION REPAIR KIT (10 PIECES)

ELASTICO TRASERO REAR SPRING



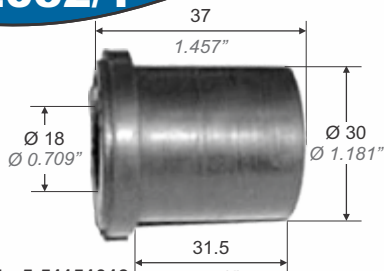
2031/2



PL: 5-51151013
40 gr. 0.088 lb.

BUJE ELASTICO TRASERO
REAR SPRING BUSHING

2032/1



PL: 5-51151013
32 gr. 0.070 lb.

BUJE ELASTICO TRASERO
REAR SPRING BUSHING

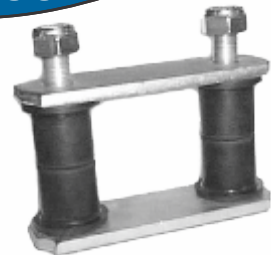
2081



PL: 8-97074-826-0
315 gr. 0.694 lb.

BUJE OJO ELASTICO TRASERO
REAR SPRING EYE BUSHING

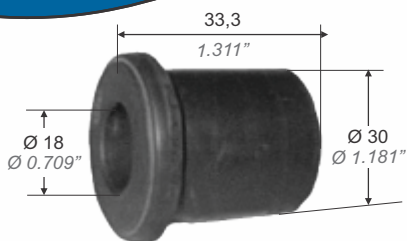
7290



PL: 894450310

SOPORTE ELASTICO TRASERO
REAR SPRING MOUNT

7290/1



21 gr. 0.046 lb.

BUJE SOPORTE ELASTICO TRASERO
REAR SPRING MOUNT BUSHING

