

# CAPEMI®

Líderes en goma  
y goma metal



## AUDI TT 1998/2006



### AMORTIGUADOR DELANTERO FRONT SHOCK ABSORBER



1557/1

7150

### 1557



PL: 1JO.412.331.C  
232 gr. 0.510 lb.

SOPORTE AMORTIGUADOR DELANTERO  
FRONT SHOCK ABSORBER SUPPORT

### 1557/1



PL: 1JO.412.331.C

293 gr. 0.645 lb.  
CON RODAMIENTO / WITH ROLLING BEARING

SOPORTE AMORTIGUADOR DELANTERO  
FRONT SHOCK ABSORBER SUPPORT

### 7063/3

mm.	Inchs
d: 14	d: 0.551
D: 45	D: 1.77
H: 15	H: 0.591



PL: PA66-GF25

RULEMAN P/SOPORTE AMORTIGUADOR  
ROLLING BEARING FOR SHOCK ABSORBER

### 7139

mm.	Inchs
d: 20	d: 0.787
D: 75	D: 2.953
l: 205	l: 8.071



PL: 357.413.175.A

FUELLE AMORTIGUADOR DELANTERO  
FRONT SHOCK ABSORBER BELLOWS

### 7234

mm.	Inchs
d: 18,5	d: 0.728
D: 57,8	D: 2.276
l: 53	l: 2.087



PL: 1JO.412.303  
36 gr. 0.079 lb.

TOPE AMORTIGUADOR DELANTERO  
FRONT SHOCK ABSORBER BUTT

### PARRILLA SUSPENSION DELANTERA FRONT SUSPENSION CONTROL ARM

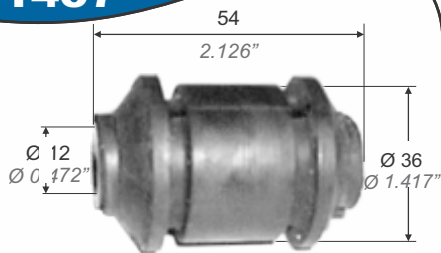
1457  
1711



1573  
1850



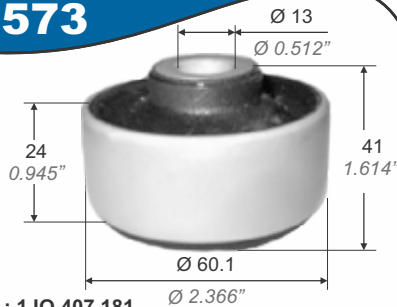
### 1457



PL: 307.407.182  
98 gr. 0.216 lb.

BUJE PARRILLA DELANTERA CENTRAL  
FRONT CONTROL ARM CENTRAL BUSHING

### 1573



PL: 1JO.407.181  
160 gr. 0.352 lb.

BUJE PARRILLA DELANTERA  
FRONT CONTROL ARM BUSHING

### 1711



PL: 1K0.407.182

BUJE PARRILLA DELANTERA (PARTE CENTRAL)  
FRONT CONTROL ARM BUSHING (FRONT SIDE)

# CAPEMI®

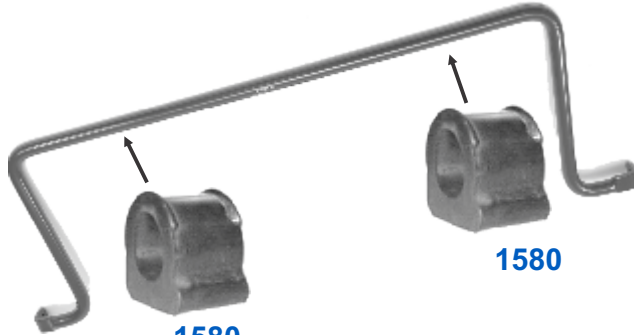
Líderes en goma  
y goma metal



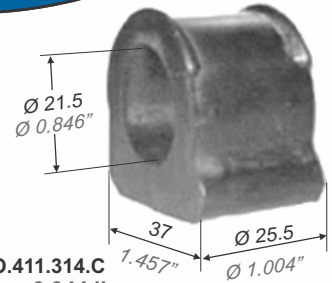
## AUDI TT / CC



### BARRA ESTABILIZADORA DELANTERA FRONT STABILIZER BAR



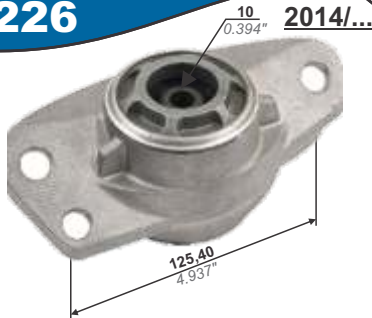
### 1580



PL: 1JO.411.314.C  
20 gr. 0.044 lb.

**BUJE BARRA ESTABILIZADORA DELANTERA**  
FRONT STABILIZER BAR BUSHING

### 6226



OEM: 1K05513353G

**CAZOLETA TRASERA**  
REAR SHOCK ABSORBER MOUNT

### 6275

TT 2007 / 2014  
CC 2012 / 2017



OEM: 1K0/505171/B

**BUJE BRAZO TENSOR TRASERO**  
REAR TENSILE BAR BUSHING

### 6291

TT 2007/2014  
CC 2012/2017



210 gr.  
0.463 lb.

OEM: 1K0505541D,  
1K0505541B

**BUJE GRANDE BRAZO SUSPENSION TRASERA**  
REAR SUSPENSION CONTROL ARM BUSHING

### 6297

TT 2007/2014  
CC 2012/2017



OEM: 1K0505279A 120 gr. 0.265 lb.

**BUJE BRAZO ESTABILIZADOR TRASERO (BRAZO CURVO)**  
REAR CURVED CONTROL ARM STABILIZER BUSHING

