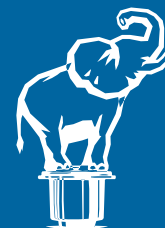


CAPEMI®

Líderes en goma
y goma metal



DEUTZ

0420.8568 / KZ0131-47

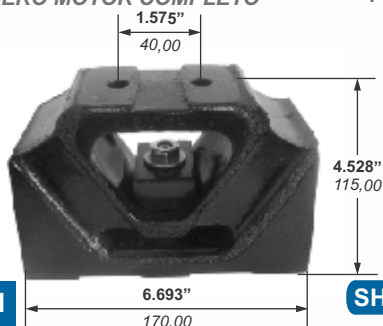
REAR COMPLETE ENGINE MOUNT

SOPORTE TRASERO MOTOR COMPLETO

WEIGHT: 8.316 lb

PESO: 3372 g

REPLACES



Capemi: 1182/1

SHORE A 60

0425.6402 / KZ0130-47

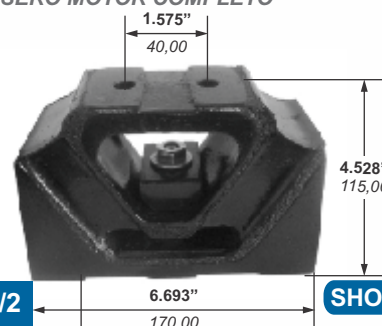
REAR COMPLETE ENGINE MOUNT

SOPORTE TRASERO MOTOR COMPLETO

WEIGHT: 8.316 lb

PESO: 3372 g

REPLACES



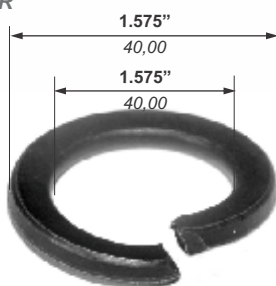
Capemi: 1182/2

SHORE A 45-60

GROVER WASHER

ARANDELA GROVER

REPLACES

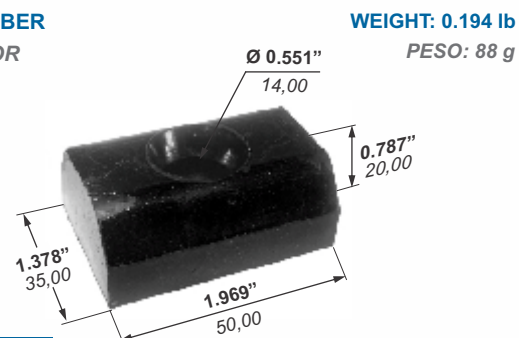


Capemi: 1182/1A

INTERIOR RUBBER

GOMA INTERIOR

REPLACES



Capemi: 1182/1G

SCREW

BULON

REPLACES



Capemi: 1182/T

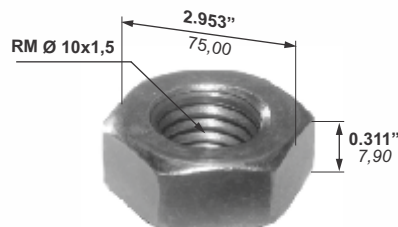
WEIGHT: 0.154 lb

PESO: 70 g

NUT

TUERCA

REPLACES



Capemi: 1182/TU



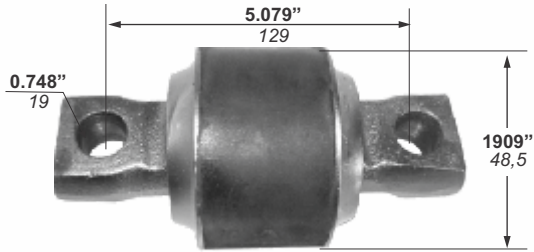
TENSILE BUSHING

BUJE TENSOR

WEIGHT: 4.641 lb

PESO: 2105 g

OA101
OHL



Capemi: 1695