



PAGE

1027038

BEAM END BUSHING

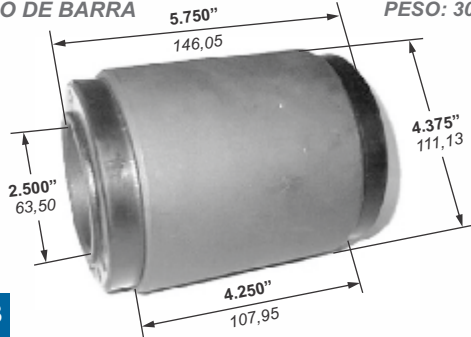
BUJE EXTREMO DE BARRA

WEIGHT: 6.793 lb

PESO: 3084 g

REPLACES

- 9-5511
- E-1341A
- 321-121
- C862
- M-1726
- 233283



Capemi: 3243

1027371

PIVOT ARM BUSHING

BUJE BRAZO PIVOT

WEIGHT: 0.100 lb

PESO: 496 g

REPLACES

- 9-1124
- E-9456
- M1461



Capemi: 3322