



PETERBILT

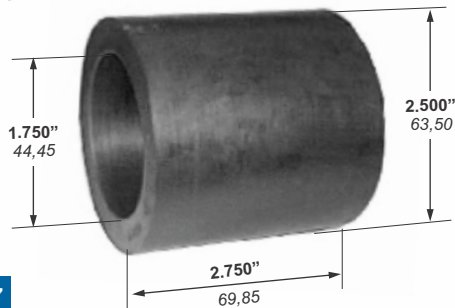
03-01674

BEAM END BUSHING
BUJE EXTREMO BARRA

WEIGHT: 0.291 lb
PESO: 132 g

REPLACES

9-8024
E-4775
320-108
PB6
M1659



Capemi: 3427

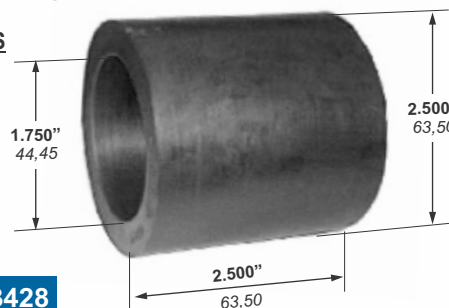
03-07015

BEAM END BUSHING
BUJE EXTREMO BARRA

WEIGHT: 0.260 lb
PESO: 118 g

REPLACES

PB42



Capemi: 3428

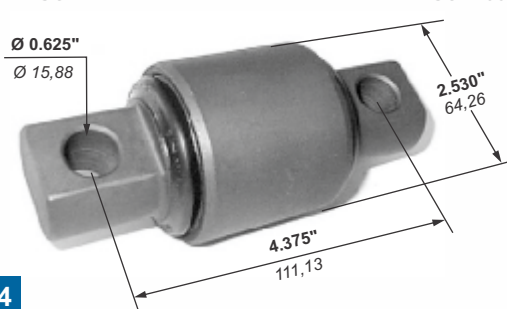
227710

TORQUE ROD BUSHING
BUJE BARRA TENSORA

WEIGHT: 3.650 lb
PESO: 1660 g

REPLACES

9-5722
E-2225
321-131
B878 / RB164
M-2069



Capemi: 1194

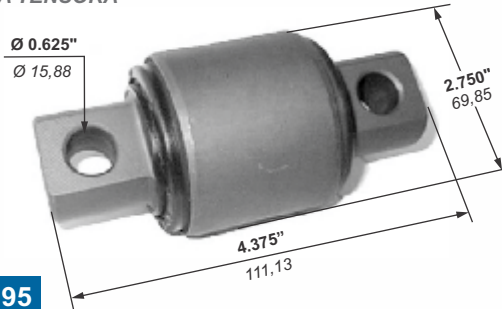
227720

TORQUE ROD BUSHING
BUJE BARRA TENSORA

WEIGHT: 4.150 lb
PESO: 1886 g

REPLACES

9-5722
E-2226
321-132
C879
M-2070



Capemi: 1195

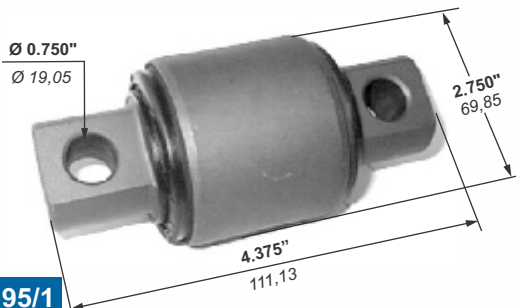
227723

TORQUE ROD BUSHING
BUJE BARRA TENSORA

WEIGHT: 4.464 lb
PESO: 2025 g

REPLACES

9-8065
E-3868
321-265
C889



Capemi: 1195/1

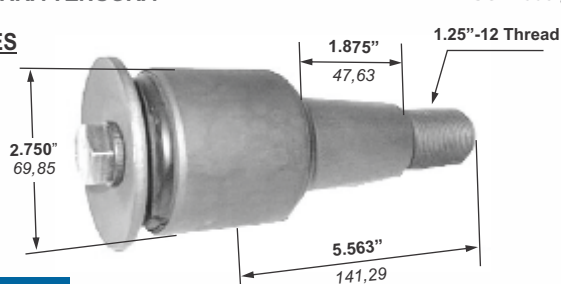
229240

TORQUE ROD BUSHING
BUJE BARRA TENSORA

WEIGHT: 5.510 lb
PESO: 2503 g

REPLACES

9-5719
E-2815
321-136
C884
M-2090
229240



Capemi: 3312



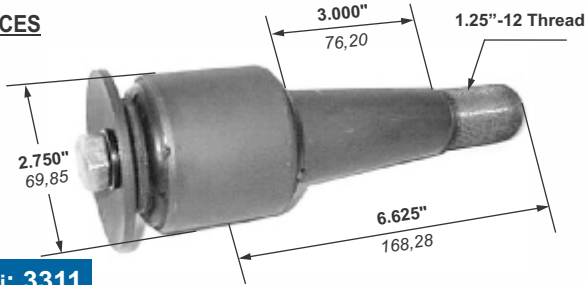
229610

TORQUE ROD BUSHING
BUJE BARRA TENSORA

WEIGHT: 5.980 lb
PESO: 2718 g

REPLACES

9-5721
E2228
321-133
C883
M-2072
229610



Capemi: 3311

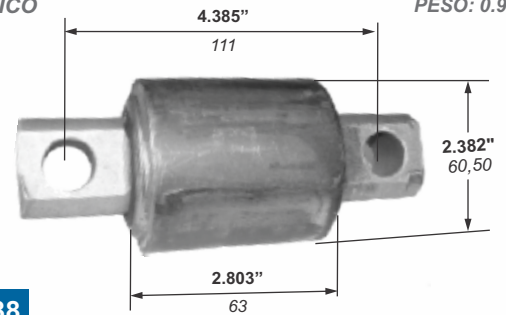
C136001

SPRING BUSHING
BUJE ELASTICO

WEIGHT: 2.161 lb
PESO: 0.928 g

REPLACES

838310
RB291



Capemi: 3488

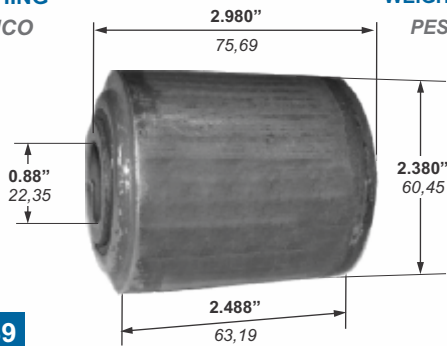
C136002

SPRING BUSHING
BUJE ELASTICO

WEIGHT: 1.989 lb
PESO: 0.902 g

REPLACES

838320
RB292



Capemi: 3489